



Guidelines for Representations of Designs (Drawings, Photographs or Printed Digital Images)

The representations of your design should be of good quality. This is important so that the public will know exactly what is protected by your design registration.

The guidelines for representations are set out below (see the Second Schedule of the Design Regulations for more detailed standards).

Drawings

Drawings must be:

- accurately drawn (not rough-hand sketches);
- on good quality, A4 size white paper; and
- of well-defined, even black lines.

Your views should include at least one perspective view.

You should not include dimensions, wording that describes parts of or all of the design, or trade mark material. These details are not registrable.

Your drawings should not show hidden detail.

You will find examples of acceptable drawings over the page.

Photographs or Printed Digital Images

These should be clear originals.

The photographs or printed digital images should show the product against a plain contrasting background. They should be free of any other products which do not form part of the design. You should be careful to avoid shadows. These may hide or confuse important details of your design.

IP Australia will not accept 'instant' type photographs, as these fade over time.

You should mount your photographs or printed digital images on good quality A4 size paper.

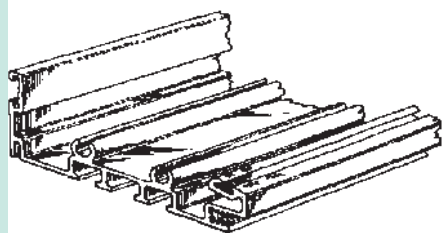
Additional Details

You should make sure that you

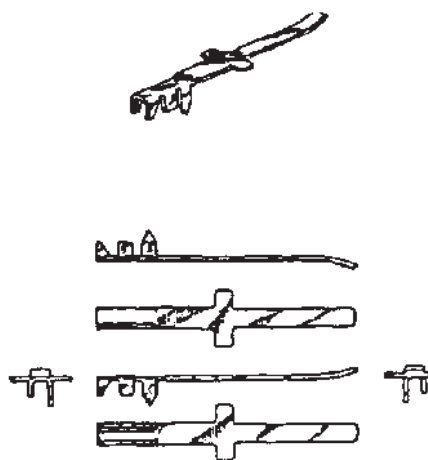
- lodge five (5) copies of each view of your drawings and/or photographs or printed digital images sorted into sets;
- do not fold or crease your drawings or photographs/printed digital images;
- make sure each design is separately indicated and show the total number of pages in the set of representations for each design. For example, Design 1 - sheet 1/3, Design 1 - sheet 2/3, etc.; and
- arrange the sets of representations for each design in a multiple design application so it is clear which representations relate to each design.

Whatever way you choose to illustrate your design, your representations should clearly show the product as the eye would see it.

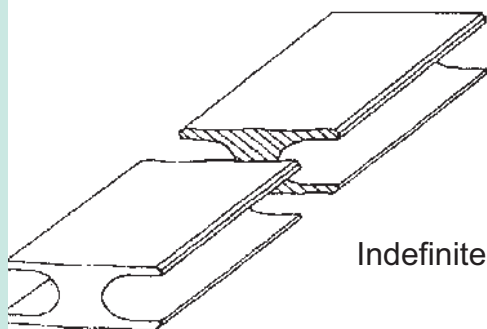
Examples of representations from previously registered designs. In most applications plan and elevation views are lodged in addition to the perspective views shown here.



Indefinite length #1



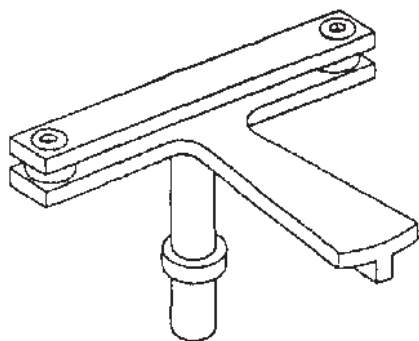
Full details (all views including perspective)



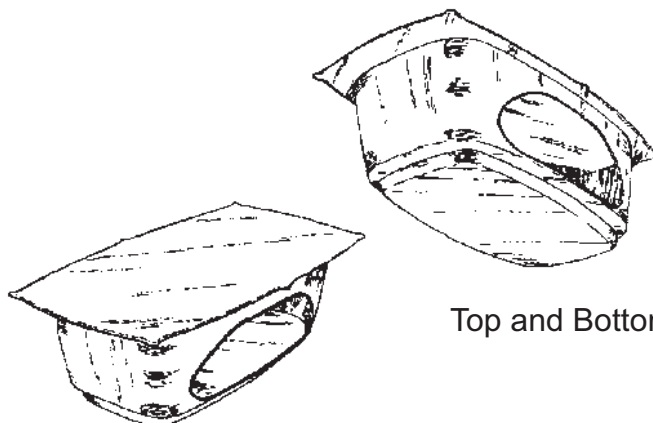
Indefinite length #2



Graphic design on T-Shirt



Single perspective



Top and Bottom perspective